

# If you're installing this scale with a **new SendPro C device:**




1. Make sure you've unpacked the **Open Me First box** and followed the enclosed instructions.
2. During SendPro C setup, select "Skip" at the "Install Scale" screen, and follow these instructions.

The "Open Me First" box may arrive in separate shipment from this Shipping Label Printer box.

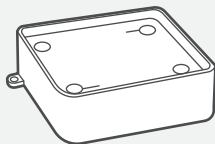
## Otherwise:

Follow these instructions to install this scale to your SendPro C device.

# MP82 Scale Installation Instructions

 Check the carton for damage before unpacking. Notify the carrier of any shipping damage. Remove the components from the package.

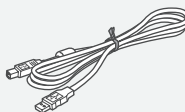
## What's in the box



Scale Base



Scale Platter



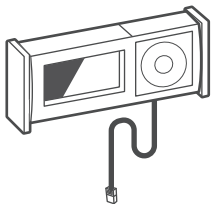
USB Cable



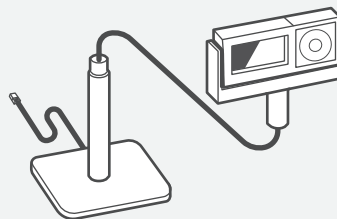
Wire seal with locking cap

Your display kit will include one of the following kits.

A: Scale mount display kit

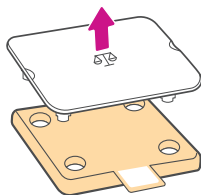
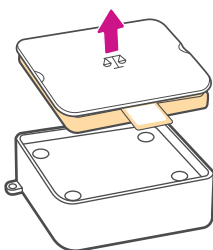


B: Remote display kit

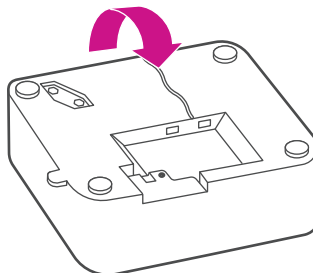


## 1. Prepare the scale for installation.

Remove the scale platter and protective foam from the scale.



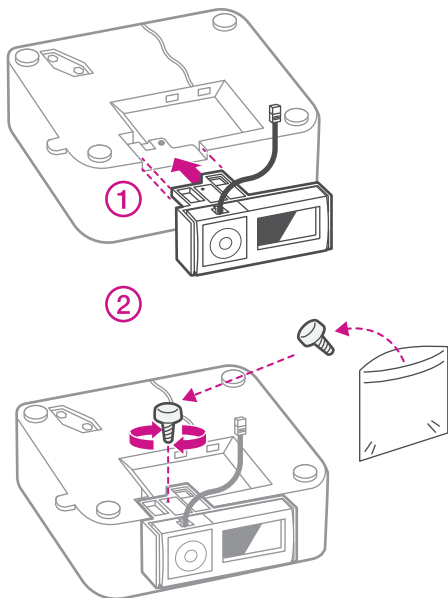
Turn the scale base over as shown in the image below.



## 2. Attach display to the scale.

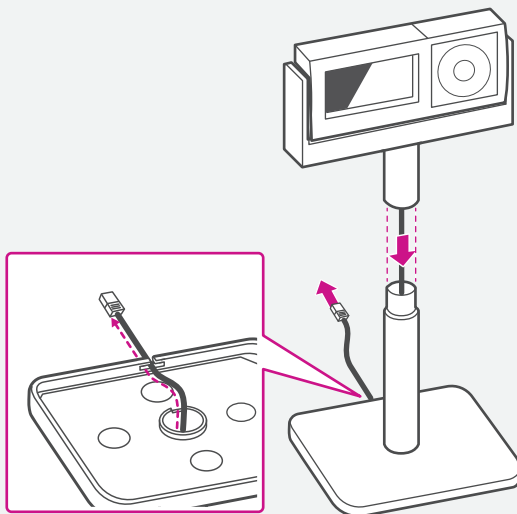
**If you have scale mount display kit.**

2a. Mount the display kit to the scale, and fasten with screw.

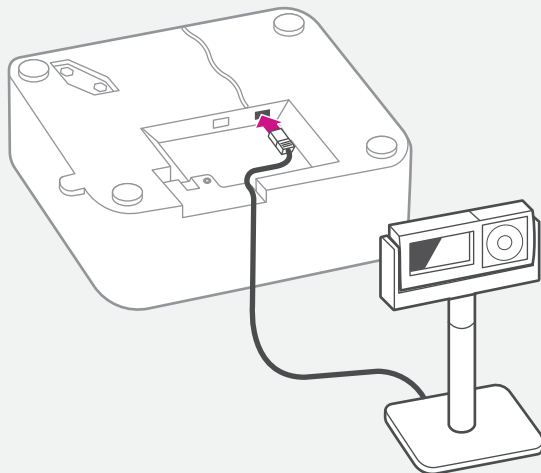
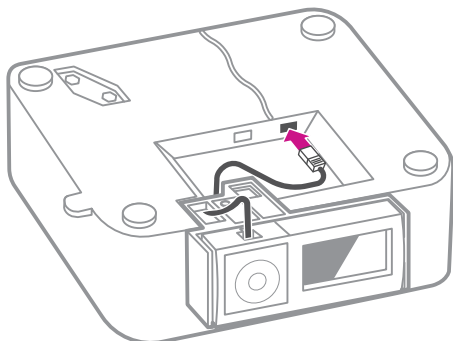



**If you have remote display kit.**

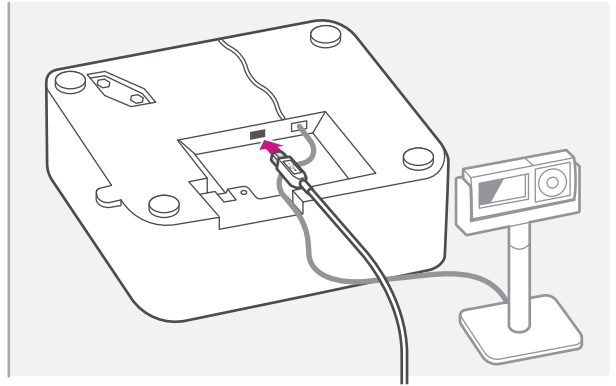
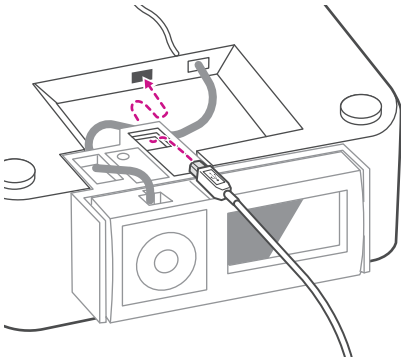
2a. Mount the display on the stand post.



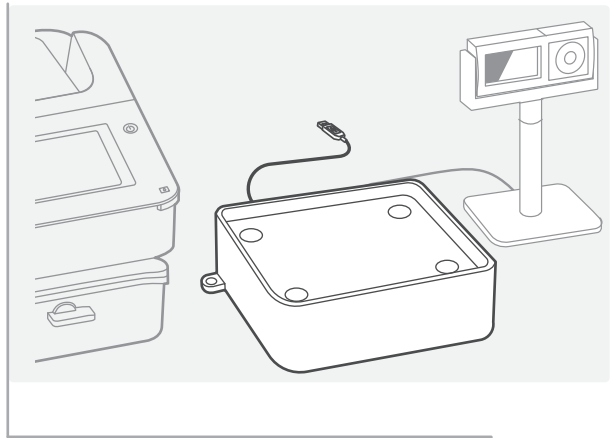
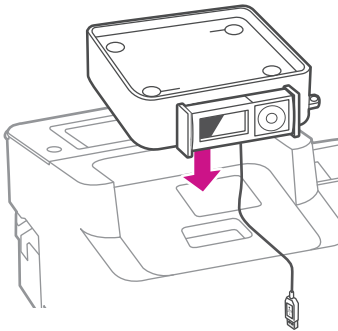
2b. Connect the other side of cable to the display port marked "□".



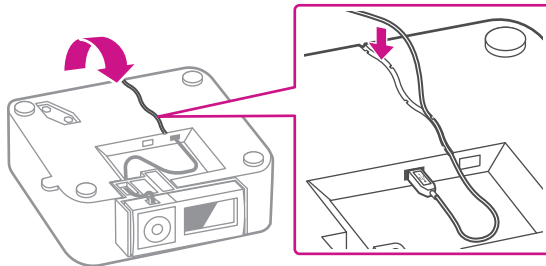
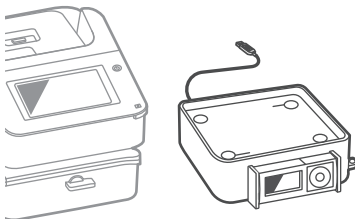
2c. Plug the small end of the USB cable into the scale connector port marked “”. The scale will power up when large end is plugged into the device.



2d. Place scale in position where it will be used.

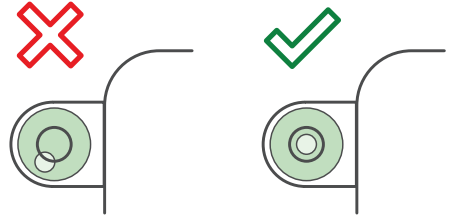
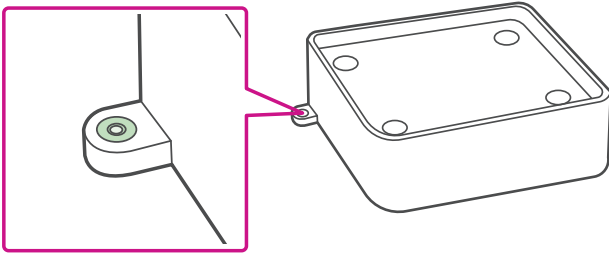


If the scale is positioned off to the side with scale mount display, route the USB cable into the channel at the bottom of scale.

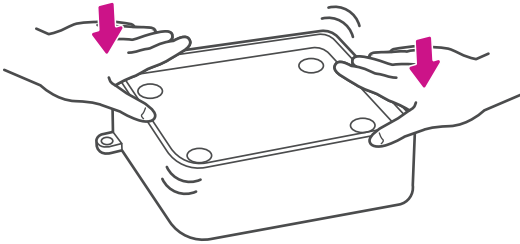


### 3. Level the scale.

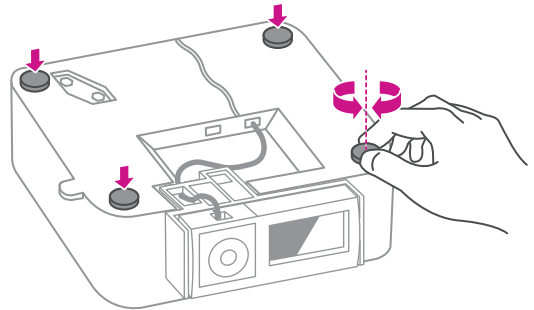
The scale is equipped with a level bubble on the side as shown and make sure the bubble is within the circle in the level bubble.



Press on alternate sides of the scale and make sure scale does not rock.

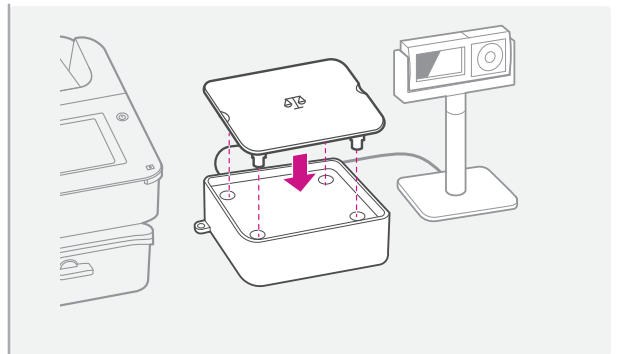
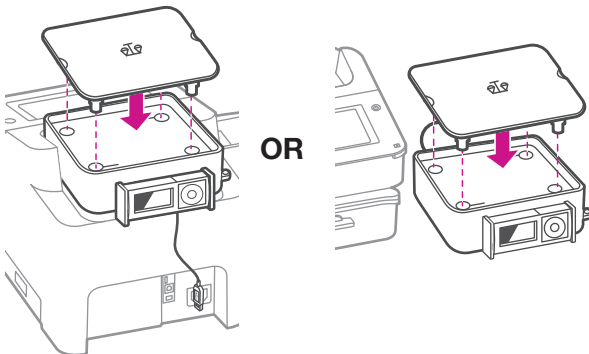


If needed, level the scale by turning adjustable feet at bottom of the unit.

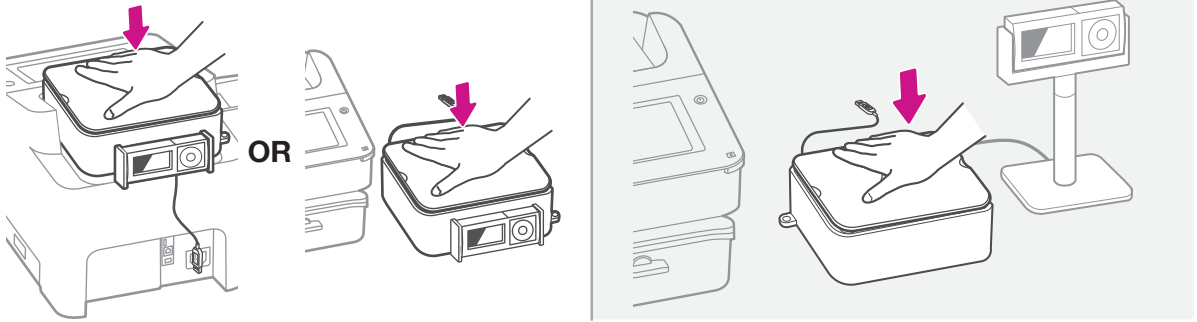


### 4. Place the platter on the scale.

4a. Press down on the platter.



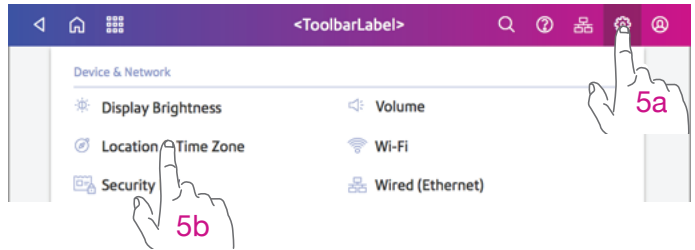
4b. Make sure platter is fully seated.



## 5. Set the Location Code to SendPro C Device.

5a. Go to SendPro C device's screen and tap setting icon.

5b. Tap Location & Time Zone under Device & Network section.

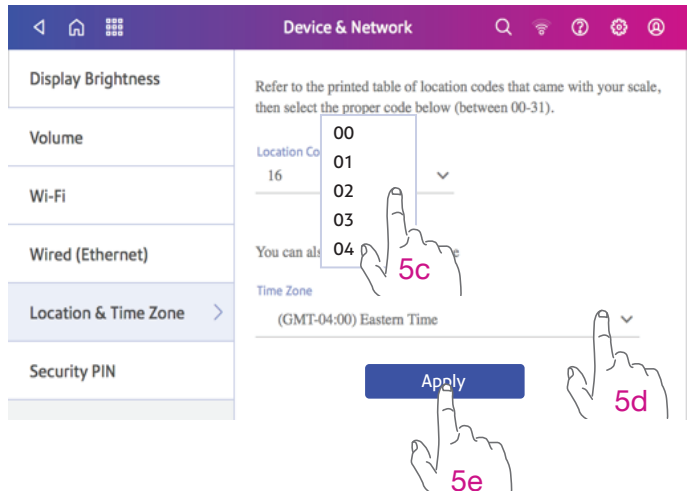


5c. Go to Location Code dropdown and select a proper location code from the list.


**Refer to the following GEO Codes tables for the location code.**

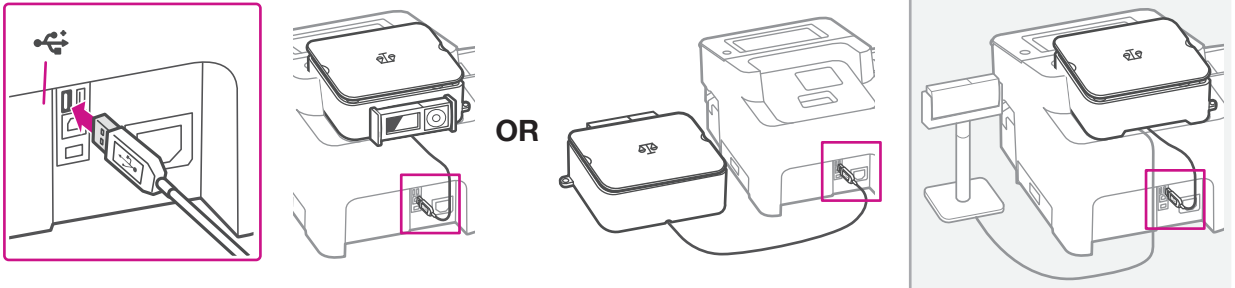
5d. Reselect the Time Zone from dropdown .

5e. Tap Apply button.  
(Apply stays greyed out.)



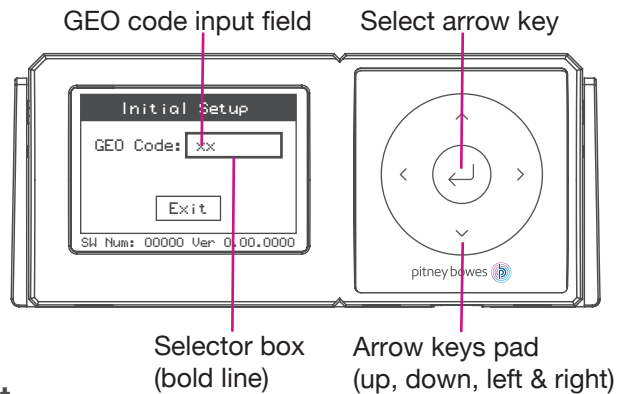
## 6. Connect the USB Cable.

The scale is powered through the USB cable. No external power supply is needed. The connector port marked “” is located on the backside of the device, as shown. Plug the large end of USB cable into your device.



## 7. Calibrate the Scale

- 7a. Scale will reboot and an **Initial Setup** screen will be displayed on the remote scale display and you are prompted for a **GEO Code**.
- 7b. Press the right or left arrow keys to select the correct Location Code. (The location code must be same as one selected on the SendPro C device.)
- 7c. Once the correct Location Code is displayed press the down arrow. (the selector box will move to the Exit.)
- 7d. Press the center select arrow to select **Exit**.



The display and scale will reboot, and display “**0 lb 0.0 oz**”.

Test weighing and make sure both the scale display and SendPro mail app show same weighing amount.

The scale is now ready for use.

### Safety Precautions

**CAUTION:** This equipment is intended to be used with limited power circuits with SELV and non-hazardous energy outputs. Pitney Bowes equipment complies with this requirement.

- Do not disassemble the scale.
- Do not place lighted candles, cigarettes, cigars, etc., on the scale.
- Use the equipment only for its intended purpose.

# Geo Codes

- i** The “Geo Code” request occurs only during the initial setup. For states / providences that have multiple listings, choose the location that is closest to you. The Geo code within an area is based on latitude and is segmented between north and south directions only. Locations near a boundary can chose either code.

| Geo Location Codes for United States |      |                       |      |                       |      |
|--------------------------------------|------|-----------------------|------|-----------------------|------|
| State                                | Code | State                 | Code | State                 | Code |
| <b>Alabama</b>                       |      | <b>Indiana</b>        |      | <b>North Carolina</b> |      |
| Birmingham & North                   | 13   | North of Indianapolis | 16   | Raleigh & North       | 14   |
| South of Birmingham                  | 12   | Indianapolis & South  | 15   | South of Raleigh      | 13   |
| <b>Alaska</b>                        |      | <b>Iowa</b>           |      | <b>North Dakota</b>   | 18   |
| Anchorage & South                    | 23   | North of Des Moines   | 17   | <b>Ohio</b>           |      |
| Anchorage – Kotzebue                 | 26   | Des Moines & South    | 16   | Akron & North         | 16   |
| North of Kotzebue                    | 27   | <b>Kansas</b>         | 14   | South of Akron        | 15   |
| <b>Arizona</b>                       |      | <b>Kentucky</b>       | 14   | <b>Oklahoma</b>       | 13   |
| Phoenix & North                      | 12   | <b>Louisiana</b>      | 12   | <b>Oregon</b>         |      |
| South of Phoenix                     | 11   | <b>Maine</b>          | 18   | Salem & North         | 18   |
| <b>Arkansas</b>                      | 13   | <b>Maryland</b>       | 15   | Salem - Oakridge      | 17   |
| <b>California</b>                    |      | <b>Massachusetts</b>  | 17   | South of Oakridge     | 16   |
| North of Chico                       | 16   | <b>Michigan</b>       |      | <b>Pennsylvania</b>   | 16   |
| Chico – San Francisco                | 15   | NW of Lake Michigan   | 18   | <b>Rhode Island</b>   | 16   |
| San Fran. - Bakersfield              | 14   | SE of Lake Michigan   | 17   | <b>South Carolina</b> | 13   |
| South of Bakersfield                 | 13   | <b>Minnesota</b>      | 18   | <b>South Dakota</b>   | 17   |
| <b>Colorado</b>                      |      | <b>Mississippi</b>    |      | <b>Tennessee</b>      | 13   |
| Denver & North                       | 13   | Kosciusko & North     | 13   |                       |      |
| South of Denver                      | 12   | South of Kosciusko    | 12   |                       |      |



| Geo Location Codes for United States |      |                      |      |                         |      |
|--------------------------------------|------|----------------------|------|-------------------------|------|
| State                                | Code | State                | Code | State                   | Code |
| <b>Connecticut</b>                   | 16   | <b>Missouri</b>      |      | <b>Texas</b>            |      |
| <b>Delaware</b>                      | 15   | North of Springfield | 15   | NE of Colorado River    | 12   |
| <b>Florida</b>                       |      | Springfield & South  | 14   | SW of Colorado River    | 11   |
| West Palm Beach & North              | 11   | <b>Montana</b>       |      | <b>Utah</b>             | 13   |
| South of West Palm Beach             | 10   | Helena & North       | 18   | <b>Vermont</b>          | 17   |
| <b>Georgia</b>                       | 12   | South of Helena      | 17   | <b>Virginia</b>         | 14   |
| <b>Hawaii</b>                        | 9    | <b>Nebraska</b>      | 15   | <b>Washington, DC</b>   | 15   |
| <b>Idaho</b>                         |      | <b>Nevada</b>        | 13   | <b>Washington State</b> | 18   |
| North of Salmon River Mt.            | 17   | <b>New Hampshire</b> | 17   | <b>West Virginia</b>    | 15   |
| South of Salmon River Mt.            | 16   | <b>New Jersey</b>    | 16   | <b>Wisconsin</b>        |      |
| <b>Illinois</b>                      |      | <b>New Mexico</b>    | 11   | Green Bay & North       | 18   |
| Bloomington & North                  | 16   | <b>New York</b>      |      | South of Green Bay      | 17   |
| South of Bloomington                 | 15   | Albany & North       | 17   | <b>Wyoming</b>          |      |
|                                      |      | South of Albany      | 16   | North of Casper         | 15   |
|                                      |      |                      |      | Casper & South          | 14   |

| Geo Location Codes for Canada |      |                     |      |                             |      |
|-------------------------------|------|---------------------|------|-----------------------------|------|
| Providence                    | Code | Providence          | Code | Providence                  | Code |
| <b>Alberta</b>                |      | <b>Newfoundland</b> |      | <b>Prince Edward Island</b> |      |
| Calgary                       | 19   | Com by Chancee      | 19   | Charlottetown               | 19   |
| Edmonton                      | 21   | St. John's          | 19   | <b>Quebec</b>               |      |
| <b>British Columbia</b>       |      | <b>Nova Scotia</b>  |      | Charlesbourg                | 19   |
| Vancouver                     | 20   | Halifax             | 18   | Montreal                    | 18   |
| Victoria                      | 19   | <b>Ontario</b>      |      | Trois Rivieres              | 19   |
| Prince Rupert                 | 22   | Ottawa              | 18   | Ville de Quebec             | 19   |
| <b>Manitoba</b>               |      | Sudbury             | 18   | <b>Saskatchewan</b>         |      |
| Moose Jaw                     | 20   | Thunder Bay         | 20   | Regina                      | 20   |
| Winnipeg                      | 20   | Toronto             | 17   | Saskatoon                   | 21   |
| <b>New Brunswick</b>          |      | Windsor             | 16   |                             |      |
| Moncton                       | 19   |                     |      |                             |      |
| Saint - John                  | 18   |                     |      |                             |      |

## GEO Codes by Latitude and Altitude

The table below designates the specific geocode for the 'point of use' city, based on its latitude and altitude. An internet search can be done to determine the city's latitude and altitude. For example, the web site below is one of several that calculates the latitude and altitude of a city:

[www.mapcoordinates.net](http://www.mapcoordinates.net)

| Latitude North or South, in Degrees and Minutes | Height Above Sea Level, in Meters |      |      |      |      |      |      |      |       |       |       |
|---|-----------------------------------|------|------|------|------|------|------|------|-------|-------|-------|
|   | 0                                 | 325  | 650  | 975  | 1300 | 1625 | 1950 | 2275 | 2600  | 2925  | 3250  |
|   | 325                               | 650  | 975  | 1300 | 1625 | 1950 | 2275 | 2600 | 2925  | 3250  | 3575  |
|   | Height Above Sea Level, in Feet   |      |      |      |      |      |      |      |       |       |       |
|   | 0                                 | 1060 | 2130 | 3200 | 4260 | 5330 | 6400 | 7460 | 8530  | 9600  | 10660 |
| 1060  | 2130                              | 3200 | 4260 | 5330 | 6400 | 7460 | 8530 | 9600 | 10660 | 11730 |       |
| 0° 0'– 5° 46'                                   | 5                                 | 4    | 4    | 3    | 3    | 2    | 2    | 1    | 1     | 0     | 0     |
| 5° 46'– 9° 52'                                  | 5                                 | 5    | 4    | 4    | 3    | 3    | 2    | 2    | 1     | 1     | 0     |
| 9° 52'–12° 44'                                  | 6                                 | 5    | 5    | 4    | 4    | 3    | 3    | 2    | 2     | 1     | 1     |
| 12°44'–15° 6'                                   | 6                                 | 6    | 5    | 5    | 4    | 4    | 3    | 3    | 2     | 2     | 1     |
| 15° 6'– 17° 0'                                  | 7                                 | 6    | 6    | 5    | 5    | 4    | 4    | 3    | 3     | 2     | 2     |
| 17°10'–19° 2'                                   | 7                                 | 7    | 6    | 6    | 5    | 5    | 4    | 4    | 3     | 3     | 2     |
| 19° 2'– 20° 45'                                 | 8                                 | 7    | 7    | 6    | 6    | 5    | 5    | 4    | 4     | 3     | 3     |
| 20°45'–22° 22'                                  | 8                                 | 8    | 7    | 7    | 6    | 6    | 5    | 5    | 4     | 4     | 3     |
| 22°22'–23° 54'                                  | 9                                 | 8    | 8    | 7    | 7    | 6    | 6    | 5    | 5     | 4     | 4     |
| 23°54'–25° 21'                                  | 9                                 | 9    | 8    | 8    | 7    | 7    | 6    | 6    | 5     | 5     | 4     |
| 25°21'–26° 45'                                  | 10                                | 9    | 9    | 8    | 8    | 7    | 7    | 6    | 6     | 5     | 5     |
| 26°45'–28° 6'                                   | 10                                | 10   | 9    | 9    | 8    | 8    | 7    | 7    | 6     | 6     | 5     |
| 28° 6'– 29° 25'                                 | 11                                | 10   | 10   | 9    | 9    | 8    | 8    | 7    | 7     | 6     | 6     |
| 29°25'–30° 41'                                  | 11                                | 11   | 10   | 10   | 9    | 9    | 8    | 8    | 7     | 7     | 6     |

| Latitude North or South, in Degrees and Minutes | Height Above Sea Level, in Meters |      |      |      |      |      |      |      |       |       |       |
|---|-----------------------------------|------|------|------|------|------|------|------|-------|-------|-------|
|   | 0                                 | 325  | 650  | 975  | 1300 | 1625 | 1950 | 2275 | 2600  | 2925  | 3250  |
|   | 325                               | 650  | 975  | 1300 | 1625 | 1950 | 2275 | 2600 | 2925  | 3250  | 3575  |
|   | Height Above Sea Level, in Feet   |      |      |      |      |      |      |      |       |       |       |
|   | 0                                 | 1060 | 2130 | 3200 | 4260 | 5330 | 6400 | 7460 | 8530  | 9600  | 10660 |
| 1060  | 2130                              | 3200 | 4260 | 5330 | 6400 | 7460 | 8530 | 9600 | 10660 | 11730 |       |
| 30°41'–31° 56'                                  | 12                                | 11   | 11   | 10   | 10   | 9    | 9    | 8    | 8     | 7     | 7     |
| 31°56'–33° 9'                                   | 12                                | 12   | 11   | 11   | 10   | 10   | 9    | 9    | 8     | 8     | 7     |
| 33° 9'– 34° 21'                                 | 13                                | 12   | 12   | 11   | 11   | 10   | 10   | 9    | 9     | 8     | 8     |
| 34°21'–35° 31'                                  | 13                                | 13   | 12   | 12   | 11   | 11   | 10   | 10   | 9     | 9     | 8     |
| 35°31'–36° 41'                                  | 14                                | 13   | 13   | 12   | 12   | 11   | 11   | 10   | 10    | 9     | 9     |
| 36°41'–37° 50'                                  | 14                                | 14   | 13   | 13   | 12   | 12   | 11   | 11   | 10    | 10    | 9     |
| 37°50'–38° 58'                                  | 15                                | 14   | 14   | 13   | 13   | 12   | 12   | 11   | 11    | 10    | 10    |
| 38°58'–40° 5'                                   | 15                                | 15   | 14   | 14   | 13   | 13   | 12   | 12   | 11    | 11    | 10    |
| 40° 5'– 41° 12'                                 | 16                                | 15   | 15   | 14   | 14   | 13   | 13   | 12   | 12    | 11    | 11    |
| 41°12'–42° 19'                                  | 16                                | 16   | 15   | 15   | 14   | 14   | 13   | 13   | 12    | 12    | 11    |
| 42°19'–43° 26'                                  | 17                                | 16   | 16   | 15   | 15   | 14   | 14   | 13   | 13    | 12    | 12    |
| 43°26'–44° 32'                                  | 17                                | 17   | 16   | 16   | 15   | 15   | 14   | 14   | 13    | 13    | 12    |
| 44°32'–45° 38'                                  | 18                                | 17   | 17   | 16   | 16   | 15   | 15   | 14   | 14    | 13    | 13    |
| 45°38'–46° 45'                                  | 18                                | 18   | 17   | 17   | 16   | 16   | 15   | 15   | 14    | 14    | 13    |
| 46°45'–47° 51'                                  | 19                                | 18   | 18   | 17   | 17   | 16   | 16   | 15   | 15    | 14    | 14    |
| 47°51'–48° 58'                                  | 19                                | 19   | 18   | 18   | 17   | 17   | 16   | 16   | 15    | 15    | 14    |
| 48°58'–50° 6'                                   | 20                                | 19   | 19   | 18   | 18   | 17   | 17   | 16   | 16    | 15    | 15    |
| 50° 6'– 51° 13'                                 | 20                                | 20   | 19   | 19   | 18   | 18   | 17   | 17   | 16    | 16    | 15    |
| 51°13'–52° 22'                                  | 21                                | 20   | 20   | 19   | 19   | 18   | 18   | 17   | 17    | 16    | 16    |

| Latitude North or South, in Degrees and Minutes | Height Above Sea Level, in Meters |      |      |      |      |      |      |      |      |       |       |
|---|-----------------------------------|------|------|------|------|------|------|------|------|-------|-------|
|   | 0                                 | 325  | 650  | 975  | 1300 | 1625 | 1950 | 2275 | 2600 | 2925  | 3250  |
|   | 325                               | 650  | 975  | 1300 | 1625 | 1950 | 2275 | 2600 | 2925 | 3250  | 3575  |
|   | Height Above Sea Level, in Feet   |      |      |      |      |      |      |      |      |       |       |
|   | 0                                 | 1060 | 2130 | 3200 | 4260 | 5330 | 6400 | 7460 | 8530 | 9600  | 10660 |
|   | 1060                              | 2130 | 3200 | 4260 | 5330 | 6400 | 7460 | 8530 | 9600 | 10660 | 11730 |
| 52°22'–53° 31'                                  | 21                                | 21   | 20   | 20   | 19   | 19   | 18   | 18   | 17   | 17    | 16    |
| 53°31'–54° 41'                                  | 22                                | 21   | 21   | 20   | 20   | 19   | 19   | 18   | 18   | 17    | 17    |
| 54°41'–55° 52'                                  | 22                                | 22   | 21   | 21   | 20   | 20   | 19   | 19   | 18   | 18    | 17    |
| 55°52'–57° 4'                                   | 23                                | 22   | 22   | 21   | 21   | 20   | 20   | 19   | 19   | 18    | 18    |
| 57° 4'– 58° 17'                                 | 23                                | 23   | 22   | 22   | 21   | 21   | 20   | 20   | 19   | 19    | 18    |
| 58°17'–59° 32'                                  | 24                                | 23   | 23   | 22   | 22   | 21   | 21   | 20   | 20   | 19    | 19    |
| 59°32'–60° 49'                                  | 24                                | 24   | 23   | 23   | 22   | 22   | 21   | 21   | 20   | 20    | 19    |
| 60°49'–62° 9'                                   | 25                                | 24   | 24   | 23   | 23   | 22   | 22   | 21   | 21   | 20    | 20    |
| 62° 9'– 63° 30'                                 | 25                                | 25   | 24   | 24   | 23   | 23   | 22   | 22   | 21   | 21    | 20    |
| 63°30'–64° 55'                                  | 26                                | 25   | 25   | 24   | 24   | 23   | 23   | 22   | 22   | 21    | 21    |
| 64°55'–66° 24'                                  | 26                                | 26   | 25   | 25   | 24   | 24   | 23   | 23   | 22   | 22    | 21    |
| 66°24'–67° 57'                                  | 27                                | 26   | 26   | 25   | 25   | 24   | 24   | 23   | 23   | 22    | 22    |
| 67°57'–69° 35'                                  | 27                                | 27   | 26   | 26   | 25   | 25   | 24   | 24   | 23   | 23    | 22    |
| 69° 5'– 71° 21'                                 | 28                                | 27   | 27   | 26   | 26   | 25   | 25   | 24   | 24   | 23    | 23    |
| 71°21'–73° 16'                                  | 28                                | 28   | 27   | 27   | 26   | 26   | 25   | 25   | 24   | 24    | 23    |
| 73°16'–75° 24'                                  | 29                                | 28   | 28   | 27   | 27   | 26   | 26   | 25   | 25   | 24    | 24    |
| 75°24'–77° 52'                                  | 29                                | 29   | 28   | 28   | 27   | 27   | 26   | 26   | 25   | 25    | 24    |
| 77°52'–80° 56'                                  | 30                                | 29   | 29   | 28   | 28   | 27   | 27   | 26   | 26   | 25    | 25    |
| 80°56'–85° 45'                                  | 30                                | 30   | 29   | 29   | 28   | 28   | 27   | 27   | 26   | 26    | 25    |
| 85°45'–90° 00'                                  | 31                                | 30   | 30   | 29   | 29   | 28   | 28   | 27   | 27   | 26    | 26    |

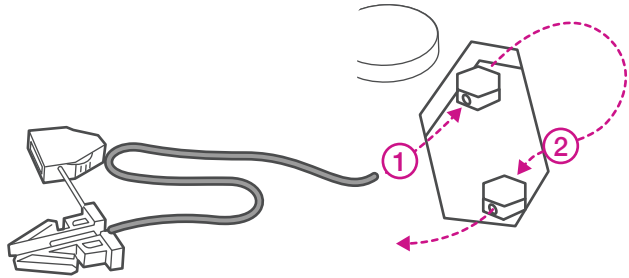
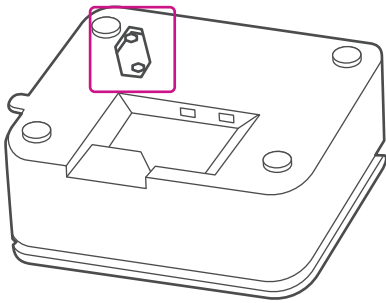
# MP82 Scale Metrological Seal Installation Instructions

Note: These instructions only apply to Weights and Measures resources.

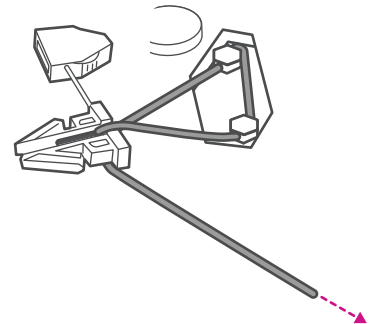
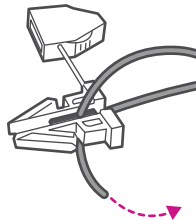
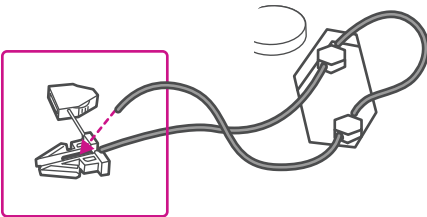
- i** Before placing your scale into retail operation:
1. Contact Weights and Measures office for additional requirements and certifications.
  2. If you have other questions, please go to: [www.pitneybowes.com/support](http://www.pitneybowes.com/support)

If a wire seal is required for W & M requirements, the scale can be sealed after calibration and setup by installing a wire seal on the Main PCB access cover per the instructions below.

1. Install the wire through the hole in the first hex screw and through the hole in the second secure hex screw of the circuit board access cover.



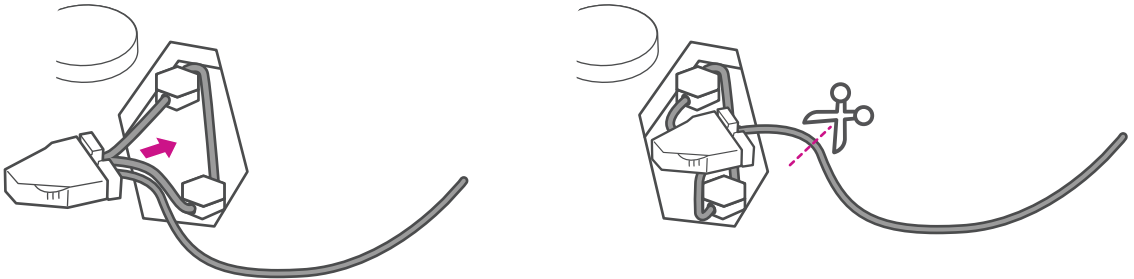
2. Route the end of the wire seal through the hole in the middle of the plastic cap and pull the excess cable through the seal to make a loop short as possible.



Bend the cap over the top and route it down through the base of the seal.



- 
- 3.** Install locking mechanism over wires and trim excess wire. When secured, approval labels can be applied.





3001 Summer Street  
Stamford CT 06926-0700  
[www.pitneybowes.com](http://www.pitneybowes.com)

AW32479 Rev.  
©2017 Pitney Bowes Inc.  
All Rights Reserved